

# Product data sheet

## Characteristics

# 140DDO88500

discrete output module Modicon Quantum - 12 O - 24..125 V DC

Product availability : Non-Stock - Not normally stocked in distribution facility



Price\* : 1,637.60 USD



### Main

Range of product	Modicon Quantum automation platform
Product or component type	Dc discrete output module
Discrete output number	12

### Complementary

Group of channels	2 groups of 6
Discrete output logic	Negative logic (sink)
Addressing requirement	1 input word 1 output word
Discrete output voltage	24...125 V DC
Output voltage limits	19.2...156.2 V
Maximum load current	<= 0.75 A at 0...40 °C each point <= 3 A at 32...140 °F (0...60 °C) each group <= 6 A at 32...140 °F (0...60 °C) per module
Surge current	<= 4 A for 1 ms
Response time	1 ms at state 0 to state 1 1 ms at state 1 to state 0
Short-circuit protection	With
Output overvoltage protection	By varistor per group
Load inductance	No limit (protected by diode)
Tungsten load	41 W 115 V 46 W 130 V 8 W 24 V
Switching frequency	<= 50 Hz
Fault indication	Overcurrent
Isolation between channels and bus	2500 Vrms DC for 1 minute
Isolation between group	1200 Vrms DC for 1 minute
Protection type	Internal output protection by 4 A fuse

Power dissipation	1 W + (0.77 x all points on)
Marking	CE
Local signalling	1 LED green bus communication is present (Active) 1 LED red external fault detected (F) 16 LEDs green input status
Bus current requirement	375 mA 6 outputs at state 1 650 mA 12 outputs at state 1
Module format	Standard
Product weight	0.99 lb(US) (0.45 kg)

## Environment

Product certifications	C-Tick FM Class 1 Division 2 GOST RMRS
Standards	CSA C22.2 No 142 UL 508
Resistance to electrostatic discharge	4 kV contact conforming to IEC 801-2 8 kV on air conforming to IEC 801-2
Resistance to electromagnetic fields	9.14 V/yd (10 V/m) 80...2000 MHz conforming to IEC 801-3
Ambient air temperature for operation	32...140 °F (0...60 °C)
Ambient air temperature for storage	-40...185 °F (-40...85 °C)
Relative humidity	95 % without condensation
Operating altitude	<= 16404.2 ft (5000 m)

## Ordering and shipping details

Category	18155 - QUANTUM I/O & POWER SUPPLIES
Discount Schedule	PC21
GTIN	00785901103165
Nbr. of units in pkg.	1
Package weight(Lbs)	2.21
Returnability	N
Country of origin	CN

## Offer Sustainability

Sustainable offer status	Green Premium product
RoHS (date code: YYWW)	Compliant <a href="#">Schneider Electric declaration of conformity</a>
REACH	Reference not containing SVHC above the threshold <a href="#">Reference not containing SVHC above the threshold</a>
Product environmental profile	Available
Product end of life instructions	Available
California proposition 65	WARNING: This product can expose you to chemicals including:
----- Substance 1	Lead and lead compounds, which is known to the State of California to cause cancer and birth defects or other reproductive harm.
----- More information	For more information go to <a href="http://www.p65warnings.ca.gov">www.p65warnings.ca.gov</a>

## Contractual warranty

Warranty period	18 months
-----------------	-----------

Racks for Modules Mounting

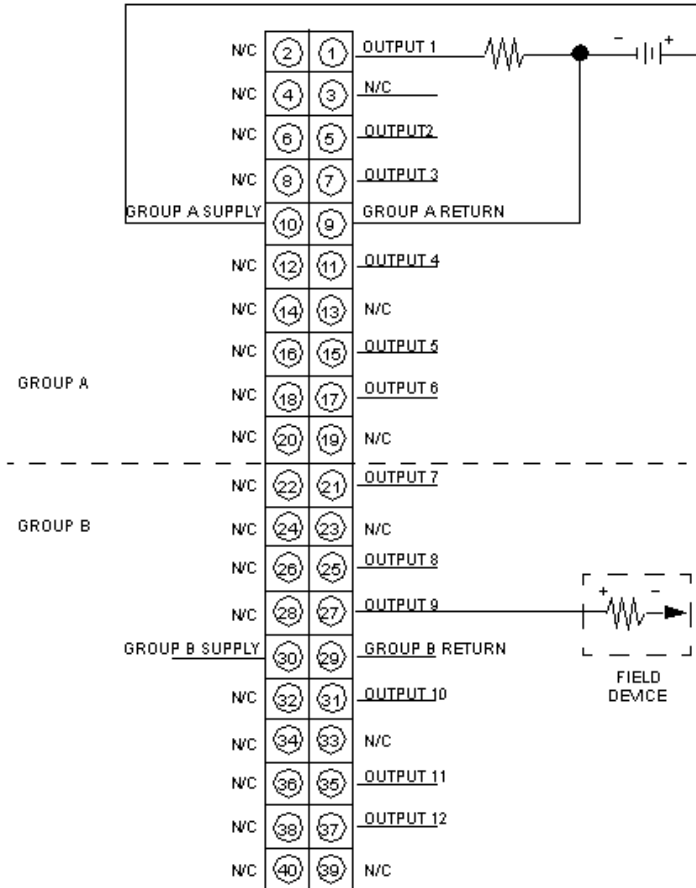
Dimensions of Modules and Racks



- (1) 2 slots
- (2) 3 slots
- (3) 4 slots
- (4) 6 slots
- (5) 10 slots
- (6) 16 slots

24...125 Vdc Discrete Output Source Module

Wiring Diagram



N/C Not Connected