

# 140DAI54300C

discrete input module Modicon Quantum - 16 I -  
115 V AC - 2 channels

Product availability : Non-Stock - Not normally stocked in distribution facility



Price\* : 1,538.70 USD



## Main

Range of product	Modicon Quantum automation platform
Product or component type	VAC discrete input modules
Software name	Concept ProWORX 32 Unity Pro
Discrete input number	16

## Complementary

Group of channels	2
Addressing requirement	1 input word
Discrete input voltage	115 V AC
Input current	<= 11.1 mA 57...63 Hz <= 13.2 mA 47...53 Hz
Voltage state 1 guaranteed	79...132 V AC at 57...63 Hz 85...132 V AC at 47...53 Hz
Voltage state 0 guaranteed	0...20 V AC at 57...63 Hz 0...20 V AC at 47...53 Hz
Input impedance	12000 Ohm capacitive at 57...63 Hz 14400 Ohm capacitive at 47...53 Hz
Network frequency limits	47...63 Hz
Leakage current	<= 2.1 mA
Absolute maximum input	132 V continuous 156 V 10 s 200 V 1 cycle
Response time	4.9...0.75 ms x line cycle Off-On 7.3...12.3 ms On-Off
Isolation between group	1780 Vrms for 1 minute
Isolation between group and bus	1780 Vrms for 1 minute

Bus current requirement	180 mA
Power dissipation in W	<= 5.5 W
Local signalling	1 LED green bus communication is present (Active) 1 LED red external fault detected (F) 16 LEDs green input status
Marking	CE
Module format	Standard
Product weight	0.66 lb(US) (0.3 kg)

## Environment

Protective treatment	Conformal coating Humiseal 1A33
Standards	CSA C22.2 No 142 UL 508
Product certifications	CUL FM Class 1 Division 2
Resistance to electrostatic discharge	4 kV contact conforming to IEC 801-2 8 kV on air conforming to IEC 801-2
Resistance to electromagnetic fields	9.14 V/yd (10 V/m) 80...2000 MHz conforming to IEC 801-3
Ambient air temperature for operation	32...140 °F (0...60 °C)
Ambient air temperature for storage	-40...185 °F (-40...85 °C)
Relative humidity	95 % without condensation
Operating altitude	<= 16404.2 ft (5000 m)

## Ordering and shipping details

Category	18155 - QUANTUM I/O & POWER SUPPLIES
Discount Schedule	PC21
GTIN	00785901556060
Nbr. of units in pkg.	1
Package weight(Lbs)	1
Returnability	N
Country of origin	CN

## Offer Sustainability

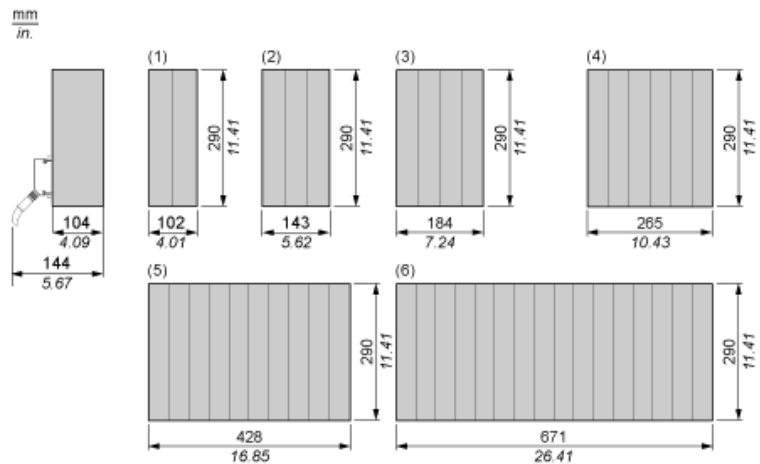
Sustainable offer status	Green Premium product
RoHS (date code: YYWW)	Compliant - since 0851 - Schneider Electric declaration of conformity <a href="#">Schneider Electric declaration of conformity</a>
REACH	Reference not containing SVHC above the threshold <a href="#">Reference not containing SVHC above the threshold</a>
Product environmental profile	Available
Product end of life instructions	Available
California proposition 65	WARNING: This product can expose you to chemicals including:
----- Substance 1	Lead and lead compounds, which is known to the State of California to cause cancer and birth defects or other reproductive harm.
----- More information	For more information go to <a href="http://www.p65warnings.ca.gov">www.p65warnings.ca.gov</a>

## Contractual warranty

Warranty period	18 months
-----------------	-----------

Racks for Modules Mounting

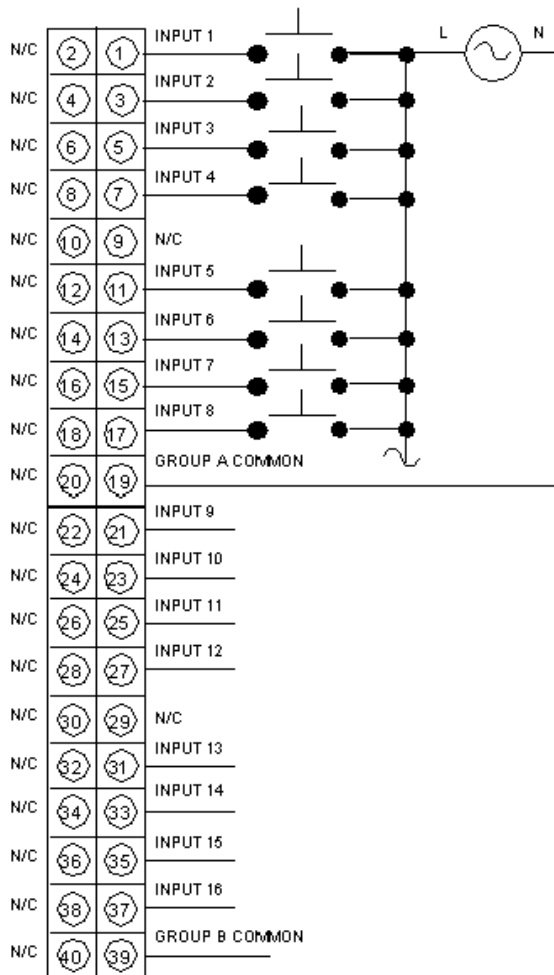
Dimensions of Modules and Racks



- (1) 2 slots
- (2) 3 slots
- (3) 4 slots
- (4) 6 slots
- (5) 10 slots
- (6) 16 slots

115 Vac Discrete Input Module

Wiring Diagram



N/C Not Connected

NOTE: All inputs in a group must be from the same phase of line input voltage.