

Product availability : Non-Stock - Not normally stocked in distribution facility



Price* : 3,110.75 USD



Main

Range of product	Modicon Quantum automation platform
Product or component type	Input/output analog module
Type of filter	Single pole low pass - 3 dB at 21 Hz +/- 20 % input circuit

Complementary

I/O modularity	6 channels
Addressing requirement	2 output words 5 input words
Analogue input number	4
Analogue input type	Bipolar current +/- 20 mA 15 bits DC Bipolar voltage +/- 10 V 16 bits DC Bipolar voltage +/- 5 V 15 bits DC Unipolar current 0...20 mA 15 bits DC Unipolar offset current 4...20 mA 14 bits DC Unipolar offset voltage 1...5 V 14 bits DC Unipolar voltage 0...10 V 16 bits DC Unipolar voltage 0...5 V 15 bits DC
Absolute maximum input	+/- 25 mA current +/- 50 V voltage
Input impedance	> 10 MOhm voltage > 250 Ohm current
Offset	+/- 0.0014 % of full scale maximum/°C 0...60 °C input circuit
Gain shift	+/- 0.002 of full scale maximum 0...60 °C input circuit
Common mode rejection	> 80 dB 50/60 Hz input circuit
Analogue output number	2
Analogue output range	4...20 mA
Analogue output resolution	12 bits
Loop voltage	0...60 V DC with external resistance output circuit 7...30 V DC output circuit

Disclaimer: This documentation is not intended as a substitute for and is not to be used for determining suitability or reliability of these products for specific user applications

Voltage drop	30 V DC 20 mA
Setting time	900 µs to +/- 0.1 % of the final value output circuit
External power requirement	7...30 V output circuit
Absolute accuracy error	+/- 0.03 % at 77 °F (25 °C) input circuit +/- 0.05 % of full scale maximum at 77 °F (25 °C) input circuit +/- 0.20 % of full scale at 77 °F (25 °C) output circuit +/- 0.004 % of full scale at 32...140 °F (0...60 °C) output circuit +/- 0.007 %/°C of full scale maximum at 32...140 °F (0...60 °C) output circuit
Linearity	2.4 % over and under range voltage 2.4 % over range, and - 9.6 % under range current Monotonic +/- 1 LSB input Monotonic +/- 1 LSB output
Update time	15 ms output circuit 320 ms input circuit
Fault type	Open circuit input/output circuit Overtaking scale (unipolar) input circuit Status byte output circuit
Isolation between channels	500 V AC for 1 minute 750 V DC for 1 minute
Isolation between channels and bus	500 V AC for 1 minute 750 V DC for 1 minute
Isolation between input channel and output channel	500 V for 1 minute 750 V for 1 minute
Marking	CE
Local signalling	1 LED green bus communication is present (Active) 1 LED red external fault 6 LEDs green channel is turned on 6 LEDs red channel fault
Bus current requirement	350 mA
Module format	Standard
Product weight	0.66 lb(US) (0.3 kg)

Environment

Product certifications	C-Tick.1 FM Class 1 Division 2
Standards	CSA C22.2 No 142 UL 508
Resistance to electromagnetic fields	9.14 V/yd (10 V/m) 80...2000 MHz conforming to IEC 801-3
Ambient air temperature for operation	32...140 °F (0...60 °C)
Ambient air temperature for storage	-40...185 °F (-40...85 °C)
Relative humidity	95 % without condensation
Operating altitude	<= 16404.2 ft (5000 m)

Ordering and shipping details

Category	18155 - QUANTUM I/O & POWER SUPPLIES
Discount Schedule	PC21
GTIN	00785901013846
Nbr. of units in pkg.	1
Package weight(Lbs)	1.02
Returnability	N
Country of origin	FR

Offer Sustainability

Sustainable offer status	Green Premium product
RoHS (date code: YYWW)	Compliant - since 0842 - Schneider Electric declaration of conformity Schneider Electric declaration of conformity
REACH	Reference not containing SVHC above the threshold

Reference not containing SVHC above the threshold

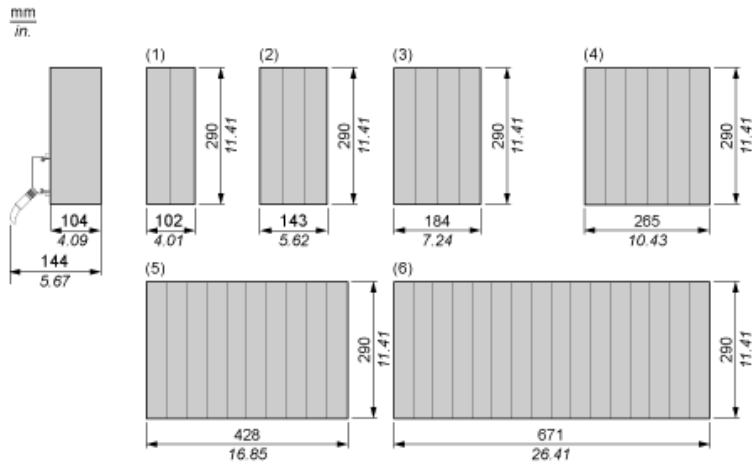
Product environmental profile	Available
Product end of life instructions	Available
California proposition 65	WARNING: This product can expose you to chemicals including:
- - - - - Substance 1	Lead and lead compounds which is known to the State of California to cause cancer and birth defects or other reproductive harm.
- - - - - More information	For more information go to www.p65warnings.ca.gov

Contractual warranty

Warranty period	18 months
-----------------	-----------

Racks for Modules Mounting

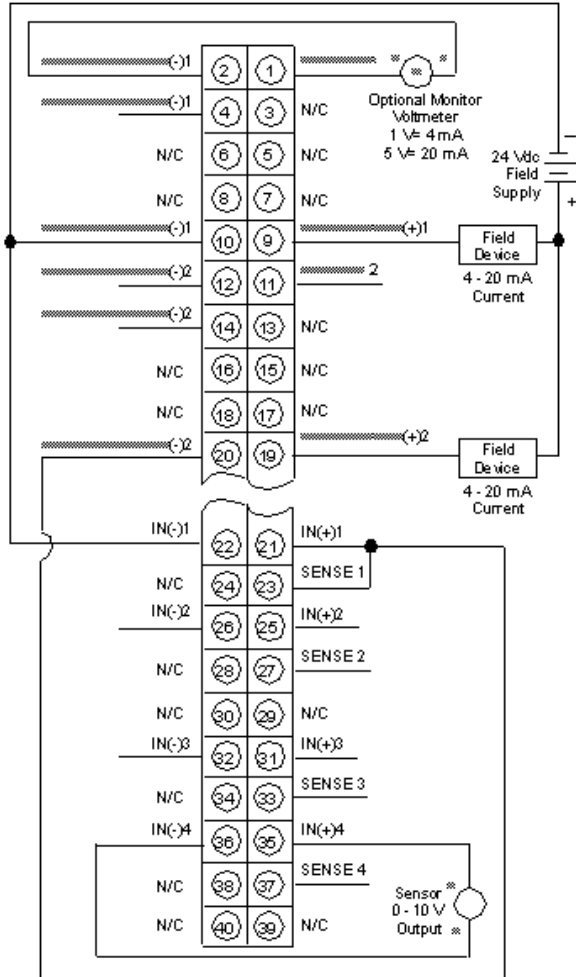
Dimensions of Modules and Racks



- (1) 2 slots
- (2) 3 slots
- (3) 4 slots
- (4) 6 slots
- (5) 10 slots
- (6) 16 slots

Analog Input/Output Module

Wiring Diagram



N/C Not Connected

- Jumpers are required between IN (+) and SENSE terminals for all current input ranges.
- Pins 1 ... 20 are outputs.
Pins 21 ... 40 are inputs.
- For Inputs, the maximum channel to channel working voltage cannot exceed 30 Vdc.